

FWD

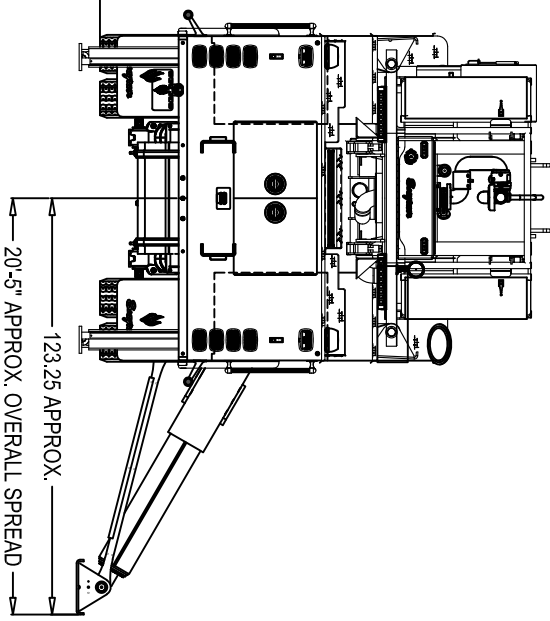
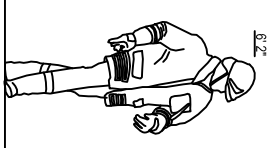
Seagrave

PLANVIEW FIRE DEPARTMENT
PLANVIEW, NEW YORK

FWD SEAGRAVE HOLDINGS, LP / 105 EAST 12TH STREET
CLINTONVILLE, WI 54929

PREPARED BY: JDG	DATE: 11-26-2024	MODEL: DV01CT
CAB: CAPTOL 142	FRONT AXLE: MFS / 22.8K / DISC	
ENGINE: CUMMINS X12 525HP	REAR AXLE: RT-58-185 / 58K / S-CAM	
PUMP: NO PUMP	FRONT TIRES: M / 425 / 65R22.5 / XZY3	
BODY: #3GR12 S/S / 75' AERIALSCOPE LO/HI	REAR TIRES: M / 315 / 80R22.5 / X WORKS Z	
AERIAL: 75' AERIALSCOPE	REAR SUSP: HENDRICKSON / ULTIMAX / 58K	

- LADDER STORAGE:
- (1) ALCO-LITE #PEL-35 35' 2 SECTION LADDERS
 - (2) ALCO-LITE #PEL-24 24' 2 SECTION LADDER
 - (2) ALCO-LITE #PEL-16 16' ROOF LADDER
 - ALCO-LITE #PRL-28 28' 2 SECTION LADDERS
 - ALCO-LITE #RL-10 10' FOLDING LADDER
 - ALCO-LITE #GL-14 COMBINATION LADDER
 - (4) S/S PIKE POLE TUBES / MILL FINISH
 - (2) FIRE HOOKS NHE-10 10' PIKE POLE FIBERGLASS HANDLE
 - (2) FIRE HOOKS NHE-8 8' PIKE POLE FIBERGLASS HANDLE



ALL DIMENSIONS ARE MEASURED IN INCHES, UNLESS OTHERWISE NOTED.
THIS DRAWING IS FOR REFERENCE OF CONFIGURATION. MINOR DETAILS MAY NOT BE SHOWN. DIMENSIONS SHOWN ARE APPROXIMATE AND SUBJECT TO CHANGE. THE SALES ORDER AND APPROVED SALES ORDER CHANGES WILL PREVAIL, WHERE DISCREPANCIES EXIST.

PRELIMINARY DRAWING F3776
THE INDICATED VEHICLE HEIGHT REPRESENTS A CALCULATED DIMENSION. ACTUAL SHIPPED HEIGHT MAY VARY.
THE HOSE CAPACITY IS A CALCULATED AMOUNT. ACTUAL CAPACITY MAY VARY DEPENDING ON VENDOR OF THE HOSE.

INTERNAL SALES REPRESENTATIVE SIGNATURE OF APPROVAL		SIG. DATE
JAMIE DE GROOT		11-26-2024
REV. DATE	DESCRIPTION	REV. BY
- 11-26-2024	PER QW #10396-0010	JDG

FWD SEAGRAVE HOLDINGS, LP, ITS SUBSIDIARIES, SUCCESSORS AND/OR ASSIGNS (COLLECTIVELY, "FWD SEAGRAVE") OWNS PROPRIETARY RIGHTS IN AND TO THIS DRAWING AND INFORMATION CONTAINED THEREIN. THIS DRAWING IS CONFIDENTIAL AND SHOULD NOT BE USED OR REPRODUCED FOR ANY PURPOSE WITHOUT THE WRITTEN CONSENT OF FWD SEAGRAVE.